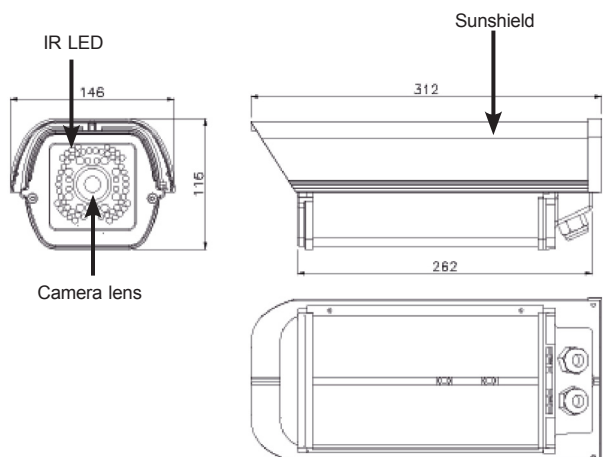


50 meter Infra-Red Outdoor Camera – CAM-IR560V



Power Input Video Output

Connector	Description
Power Input	Connect to a DC 12V power adapter.
Video Output	BNC connector for analog video output.

- 1 -

- 2 -

Packet Content

CAM-IR560V x 1

Quick installation guide x 1

Installation

1. Please fix the CAM-IR560V to the bracket with screws
2. After installed finished, please place the camera to a suitable location.
3. Adjust the camera to the correct direction.
4. Connect video output connector to your DVR.
5. Connect a DC 12V power adapter to the Power Input connector.



Note

Before connect power adapter to camera, please make sure the power output voltage is DC 12V (max. $\pm 10\%$). If you can not sure this part, we will suggest to use a DC 12V Switching power adapter. It can provide stably power output.

- 3 -

- 4 -

www.planet.com.tw

50 Meter CAM-IR560V Infrared Vari-Focal Analog Camera

Supports Long Distance Application



Quick Installation Guide

Specification

Product	
Model	CAM-IR560V
Camera	
Sensor	SONY 1/3" CCD
Effective Picture Elements	NTSC: 768 x 494, PAL: 752 x 582 (H x V)
Lens	6~15 mm / F1.4 Vari-Focal manual iris lens
Minimum Illumination	0 LUX with built-in IR-LED
View Angle	8mm:H: 33 Degree, V: 25 Degree
Led	
IR LED	35 Units of 850nm High Power IR LED
IR Project Distance	50 Meters
Video & Audio	
Horizontal Resolution	600 TV lines
S/N Ratio	More than 48 dB
White Balance	Automatically (2500K~9500K)
Gamma Characteristic	0.45

Gain Control	Automatically
Auto Electronic Shutter	NTSC: 1/60s~1/100,000s, PAL: 1/50s~1/110,000s
Digital Wide Dynamic Range	DWDR ON
2D Noise Reduction	2DNR ON
Synchronous System	Internal, Negative sync
Environment	
Operating	-10 to 50 Degree C (14 to 122 Degree F)
Video Output	1 Vp-p Composite Video / 75 Ohms
Power Supply	AC 90~260V / DC 12V
Power Consumption	8.5W
Water Resistance	IP-66
Dimensions	312 x 146 x 115 mm (L x W x H)