

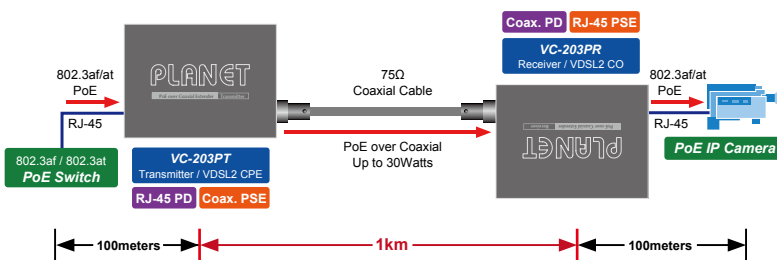
PoE over Coaxial Extender - Receiver



PLANET VC-203Px PoE over Coaxial Extender series is designed to extend IP Ethernet transmission and inject power over an existing coaxial cable for distance up to 1000m (3280ft) to PoE IP camera, PoE wireless AP and any 802.3af/at complied powered device (PD).

The VC-203Px consists of a Transmitter and Receiver set which can work in pair without any power adapter anywhere on your network infrastructure. The solution contains two brand-new products:

- VC-203PT: 1-Port 10/100TX PoE PD + 1-Port BNC PoE over Coaxial PSE Extender – Transmitter
- VC-203PR: 1-Port 10/100TX PoE PSE + 1-Port BNC PoE over Coaxial PD Extender – Receiver



Models		VC-203PT	VC-203PR
PoE over Coax. Extender		Transmitter	Receiver
Power Input (Optional)	PoE	RJ-45: 802.3af/at PoE In UTP cable, up to 100m	BNC: PoE over Coaxial In Coaxial cable, up to 1km
	DC	DC Jack: 52~56V DC In	DC Jack: 52~56V DC In
Power Output	PoE	BNC: PoE over Coaxial In Coaxial cable, up to 1km	RJ-45: 802.3af/at PoE out UTP cable, up to 100m
	DC	-	2-pin Terminal Block : Selectable 12V/24V DC

It is a perfect solution for sending IP Video links and power to remote PoE IP camera installation that is beyond the 100 meters distance limit of Ethernet.

Physical Port

- 1 x 10/100Base-TX RJ-45 copper interface (802.3at/af PoE Out)
- 1 x BNC connector (Power and data receiver)
- 1 x 2 Pin Terminal Block for 12/24V DC output

Power over Ethernet

- Supports Power over Ethernet PD, PoE Injector and PoE Splitter
- Eliminates power cabling with PoE over Coaxial
- Ethernet over coaxial up to 1km with 5C2V/RG6 75Ω cable
- Complies with IEEE 802.3af / IEEE 802.3at Power over Ethernet on RJ-45 port
- Supports PoE Power up to 30.8 watts (Vary on Power Source and Coaxial Distance)
- Auto detects remote powered device (PD)
- Supports adjustable two different output voltage options (12V / 24V) to fit various non-PoE devices

Layer 2 Features

- Supports auto-negotiation and 10/100Mbps half / full duplex
- Prevents packet loss with back pressure (half-duplex) and IEEE 802.3x pause frame flow control (full-duplex)

VDSL2 Features

- One box design, Master / Slave selectable via DIP Switch
- Defines asymmetric (Band Plan 998) and symmetric band plans for the transmission of upstream and downstream signals

Industrial Case / Installation

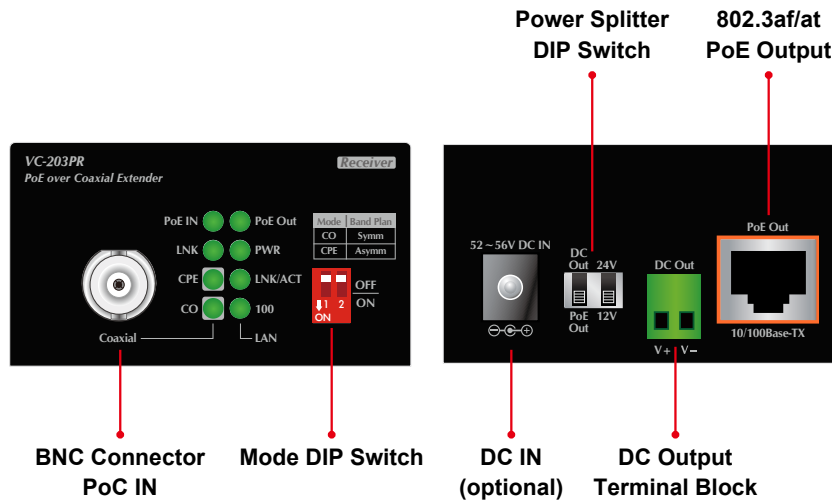
- Supports extensive LED indicators for network diagnostics
- IP30 metal case protection
- Compact size, DIN rail and wall mount design
- Power Input: External DC or PoC (Power over Coaxial) power input
- Supports EFT 2000V DC protection for power line
- Supports ESD 2000V DC Ethernet protection
- -40 to 75 degrees C operating temperature

Power over Coaxial

Based on IEEE 802.3af High Power over Ethernet and up to 25 watts of power output, PLANET PoE over coaxial extender solution eliminates the need for additional remote site power while allowing a single PoE source, such as a PoE network switch, to provide power to both transceivers and the camera at long range. This feature eliminates the need for local and remote site power supplies.

IEEE 802.3af/at PoE Injector and Splitter in one box design

The VC-203PR is a Single-Port, 802.3af High Power over Ethernet Injector providing maximum up to 30 watts of power output over Ethernet cable which allows data and power to transmit simultaneously through the cable to PoE PD (Powered Device). In addition, the VC-203PR also features PoE splitter function with selectable 12V/24V DC power output which makes non-PoE equipment power up as well.



Stable Operating Performance under Difficult Environments

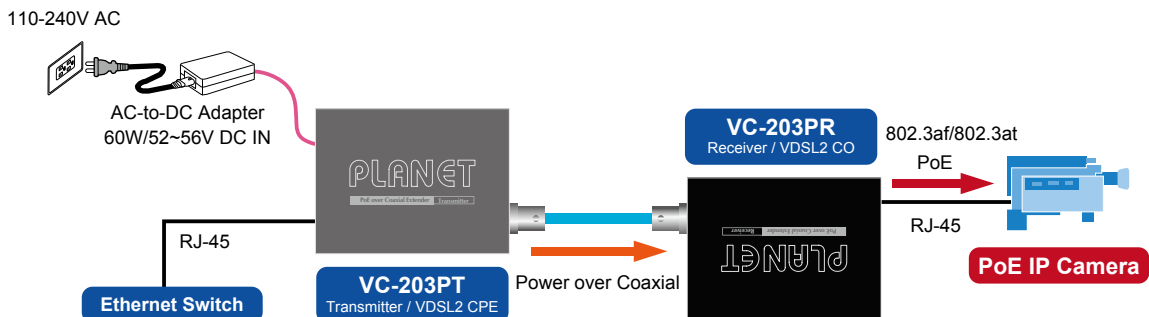
The VC-203PT and VC-203PR extender is the perfect solution for extended distance data and power transmission for warehouses, parking lots, campuses, casinos, and many more. They can operate stably under temperature range from -40 to 75 degrees C which enables the users to conveniently apply the device in almost any location of the network.

Applications

Applications of VC-203PT and VC-203PR

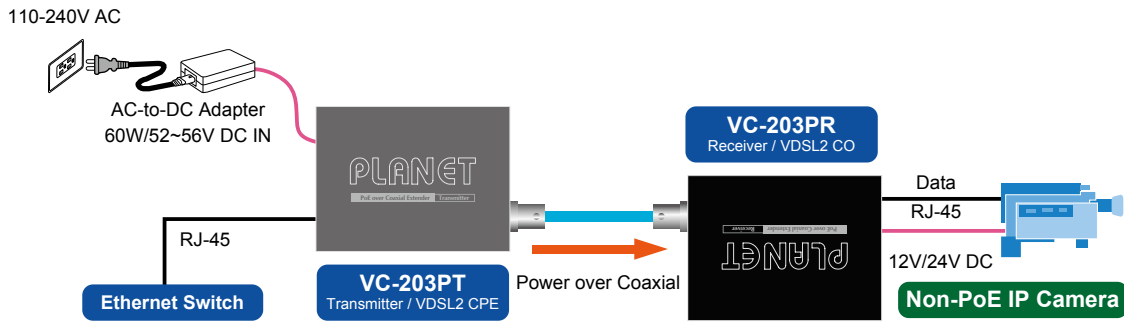
The VC-203PT, which functions with the VC-203PR, can split into several kinds of combinations. The VC-203PT can power by either from external DC power adapter or high power PoE switch. The power output of the VC-203PR is selectable - PoE output to the PoE Power Devices (PD) OR DC power output to the non-PoE devices.

Type 1 – VC-203PT with 52~56V power adapter and VC-203PR with PoE power output



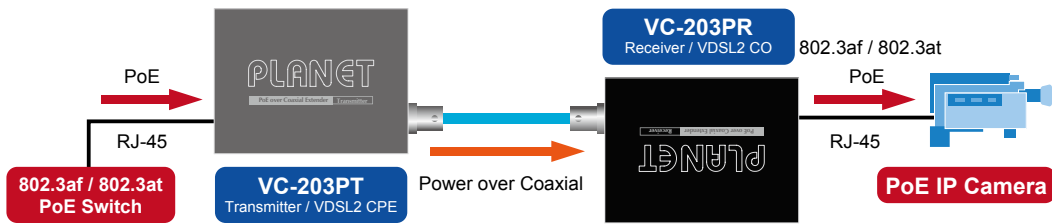
	CPE	CO
	VC-203PT	VC-203PR
Power Input	Power adapter with 52~56V DC in	BNC with DC power over coaxial input
Power Output	BNC with DC power over coaxial output	RJ-45 with 802.3af/at PoE output

Type 2 – VC-203PT with 52~56V power adapter and VC-203PR with DC power output



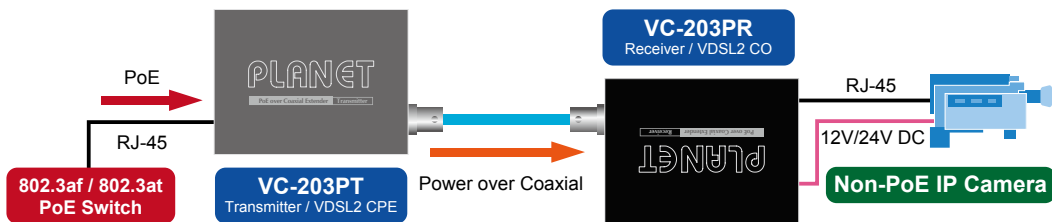
	CPE	CO
	VC-203PT	VC-203PR
Power Input	Power adapter with 52~56V DC in	BNC with DC power over coaxial input
Power Output	BNC with DC power over coaxial output	DC Terminal block with 12V or 24V DC output

Type 3 – VC-203PT with PoE power input and VC-203PR with PoE power output



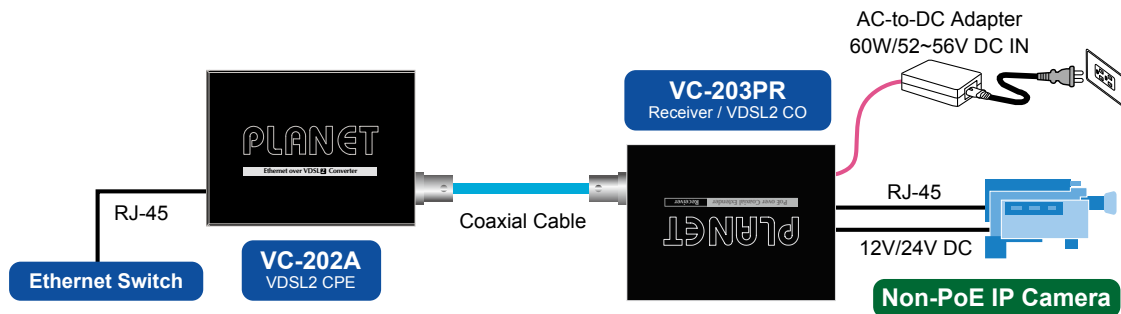
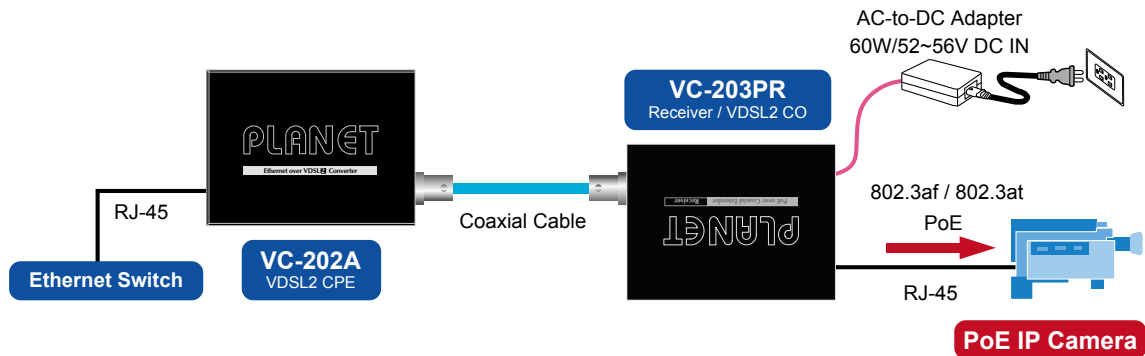
	CPE	CO
	VC-203PT	VC-203PR
Power Input	RJ-45 with 802.3at/af PoE input	BNC with DC power over coaxial input
Power Output	BNC with DC power over coaxial output	RJ-45 with 802.3at/af PoE output

Type 4 – VC-203PT with PoE power input and VC-203PR with DC power output



	CPE	CO
	VC-203PT	VC-203PR
Power Input	RJ-45 with 802.3at/af PoE input	BNC with DC power over coaxial input
Power Output	BNC with DC power over coaxial output	DC Terminal block with 12V or 24V DC output

Type 5 – PLANET VC-202A (does not support Power over coaxial) with coaxial link to the VC-203PR, and VC-203PR gets external DC power input directly and RJ-45 with PoE output



	CPE	CO
	VC-202A / IVC-2002	VC-203PR
Power Input	Power adapter with 5V DC in	Power adapter with 52~56V DC in
Power Output	does not support power output	DC Terminal block with 12V or 24V DC output

Specifications

Model		VC-203PR / Receiver
Hardware Specifications		
Interface	Copper	10/100Base-TX RJ-45 Auto-negotiation/ auto-MDI/MDI-X 802.3at/af PoE Output
	Coaxial	BNC, female Power over Coaxial Input
	DC Socket(Optional)	52~56V DC input
	DIP-Switch	2-position DIP Switch <ul style="list-style-type: none"> Selectable CO or CPE mode (Default: CPE) Selectable Band plan: asymmetric or symmetric (Default: asymmetric) 2-Position DIP Switch (Rear) <ul style="list-style-type: none"> PoE out or DC out (Default: PoE out) 12V DC / 24V DC output voltage (Default: 12V DC)
LED Indicators	LED is Green in Color <ul style="list-style-type: none"> System: <ul style="list-style-type: none"> PWR VDSL2: <ul style="list-style-type: none"> LNK CO CPE PoE: <ul style="list-style-type: none"> PoE IN PoE Out Ethernet: <ul style="list-style-type: none"> LNK/ACT 100 	
ESD Protection	2KV DC	
EFT Protection	2KV DC	
Enclosure	IP30 metal case	
Installation	Wall mount or DIN rail with optional kit	

Dimensions (W x D x H)		94 x 70.3x 39.2 mm			
Weight		302g			
Power Requirements		<ul style="list-style-type: none"> ▪ RJ-45 PoE Input: 802.3at/af 44~57V DC ▪ DC Input: 52~56V DC 			
Power over Ethernet/Coaxial					
PoE Standard		IEEE 802.3at Type 2 IEEE 802.3af			
PSE Interface		RJ-45 48~56V DC, 600mA max. End-Span, Pin 1/2(+), 3/6(-)			
PD Interface		BNC Input Range: 44~57V DC			
DC Power Output		12V DC, 2A max. 24V DC, 1A max.			
Max. PoE Budget	Power Input by PoE	BNC : 25 watts			
	Power Input by DC	BNC : 30 watts			
Performance* (Downstream / Upstream)**	Distance	Data Rate		VC-203PR PoE Output	
		Asymmetric Mode	Symmetric Mode	VC-203PT W/DC IN	VC-203PT W/PoE+ IN
	200m	100/60 Mbps	90/100 Mbps	20W	13W
	400m	95/55 Mbps	85/100 Mbps	16W	11W
	600m	90/50 Mbps	70/80 Mbps	12W	10W
	800m	85/45 Mbps	65/70 Mbps	7W	6W
	1000m	70/35 Mbps	55/55 Mbps	5W	4W
1200m	60/25 Mbps	45/40 Mbps	-	-	
Standards Conformance					
Standards Compliance		IEEE 802.3 10Base-T Ethernet IEEE 802.3u 100Base-TX Fast Ethernet IEEE 802.3af Power over Ethernet (802.3at Type 1) IEEE 802.3at Power over Ethernet Plus (802.3at Type 2)			
Regulation Compliance		FCC Part 15 Class A, CE			
Environment					
Temperature		Operating: -40~75 degrees C Storage: -40~75 degrees C			
Humidity		Operating: 5~95% (non-condensing) Storage: 5~95% (non-condensing)			

* The actual data rate and power output will vary on the quality of the copper wire and environment factors.

** Default Downstream VC-203PR to VC-203PT ; Upstream VC-203PT to VC-203PR.

Related PoE Products

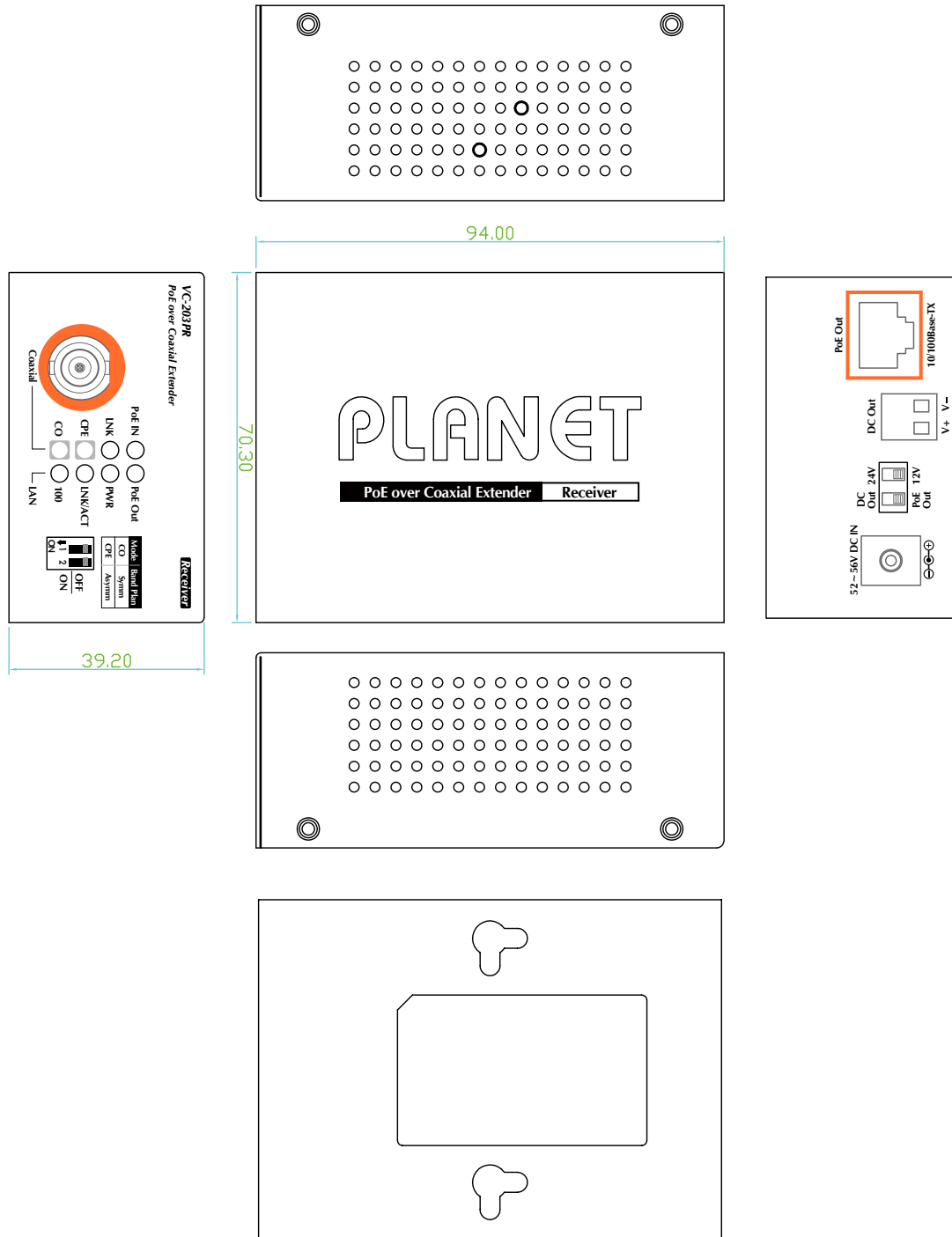
ICA-2200	Full HD PoE Box IP Camera
ICA-2500	5 Mega-pixel PoE Box IP Camera
ICA-3250V	Full HD Outdoor IR PoE IP Camera
ICA-3350V	3 Mega-pixel Vari-focal Bullet IR IP Camera
ICA-4200V	Full HD 20M IR Vari-focal Dome IP Camera
ICA-5350V	3 Mega-pixel Vandalproof IR IP Camera
ICA-8350	3 Mega-pixel Vandalproof Fish-eye IP Camera
ICA-HM101	2 Mega-pixel PoE Cube IP Camera
ICA-HM126	H.264 Full HD Box IP Camera
ICA-HM127	3 Mega-pixel H.264 Box IP Camera
ICA-HM132	H.264 2 Mega-pixel 20M IR Vari-focal Dome IP Camera
ICA-HM136	H.264 2 Mega-pixel 20M IR Vandalproof Dome IP Camera
ICA-HM312	2 Mega-pixel 25M IR Outdoor Bullet PoE IP Camera
ICA-HM316	2 Mega-pixel Outdoor IR PoE IP Camera
ICA-HM351	2 Mega-pixel 35M IR Outdoor Box PoE IP Camera
ICA-HM620	2 Mega-pixel PoE Plus Speed Dome Internet Camera
POE-152S	IEEE 802.3af Power over Ethernet Splitter
POE-162S	IEEE 802.3at Gigabit High Power over Ethernet Splitter
POE-E101	IEEE 802.3af Power over Ethernet Extender
POE-E201	IEEE 802.3at Power over Ethernet Extender
WNAP-C3220	802.11n Wireless Ceiling Mount PoE Access Point
WNAP-1120PE	802.11n Wireless Access Point with PoE
ICF-1700	Touch Screen Internet Multimedia Phone
VIP-255PT	Multi-Language PoE IP Phone
VIP-256PT	802.3af PoE SIP IP Phone
VIP-360PT	Business PoE IP Phone
VIP-361PE	Professional PoE IP Phone (5-Line)
VIP-560PT	Professional PoE IP Phone

Ordering Information

VC-203PR

1-Port 10/100TX PoE PSE + 1-Port BNC PoE over Coaxial PD Extender – Receiver

Dimensions:



PLANET Technology Corporation

11F., No.96, Minquan Rd., Xindian Dist., New Taipei City
231, Taiwan (R.O.C.)
Tel: 886-2-2219-9518
Email: sales@planet.com.tw

Fax: 886-2-2219-9528
www.planet.com.tw



PLANET reserves the right to change specifications without prior notice. All brand names and trademarks are property of their respective owners. Copyright © 2013 PLANET Technology Corp. All rights reserved.

VC-203PR