

# DC Single Output Industrial DIN Rail Power Supply Units



### Compact Size with more Practicability and Convenience

As Industrial Ethernet equipments specially designed for the harsh working environment, sometimes it is hard to find suitable DC voltage power source for the industrial Ethernet devices. To conquer this limit and assure industrial equipments get DC power easily, PLANET now releases the PWR series - DC Single Output Industrial DIN Rail Power Supply Units.

The DC Single Output Industrial DIN Rail Power Supply Units accept universal 100-240 AC input voltage and provide 24V / 48V DC power output with various Watts value. The Power Supply units are designed in compact size and can be installed on DIN rail TS-35 / 7.5 or 15. It is an ideal and convenient DC power feeding solution for Industrial equipments under heavy Industrial environments.

### Stable Performance under Difficult Environments

The DC Single Output Industrial DIN Rail Power Supply Units provides various models with Short circuit / Overload / Over voltage and Over temperature protections for the Industrial Ethernet Equipments operating stably. Meanwhile, it uses free air convection cooling. Being able to operate under the temperature range from -20 to 70 Degree C (maximum), the DC Single Output Industrial DIN Rail Power Supply Units can be placed in almost any difficult environments.

## PRODUCT FEATURES

### PWR-40-24 (MEAN WELL / MDR-40-24)

- Universal AC input / Full range
- Protections: Short circuit / Overload / Over voltage
- Cooling by free air convection
- For installation on DIN rail TS-35/7.5 or 15
- NEC class 2 / LPS compliant (12V, 24V, 48V only)
- LED indicator for power on
- DC OK relay contact
- No load power consumption < 0.75W
- 100% full load burn-in test

### PWR-60-24 (MEAN WELL / MDR-60-24)

- Universal AC input / Full range
- Protections: Short circuit / Overload / Over voltage
- Cooling by free air convection
- For installation on DIN rail TS-35/7.5 or 15
- NEC class 2 / LPS compliant (12V, 24V, 48V only)
- LED indicator for power on
- DC OK relay contact
- No load power consumption < 0.75W
- 100% full load burn-in test

### PWR-75-24 (MEAN WELL / DR-75-24)

- Universal AC input / Full range
- Protections: Short circuit / Overload / Over voltage / Over temperature
- Cooling by free air convection

- For installation on DIN rail TS-35/7.5 or 15
- UL 508 (industrial control equipment) approved
- LED indicator for power on
- 100% full load burn-in test
- Fix switching frequency at 50KHz

### PWR-120-48 (MEAN WELL / DR-120-48)

- Universal AC input / Full range
- AC input range selectable by switch
- Protections: Short circuit / Overload / Over voltage / Over temperature
- Cooling by free air convection
- For installation on DIN rail TS-35/7.5 or 15
- UL 508 (industrial control equipment) approved
- LED indicator for power on
- 100% full load burn-in test
- Fixed switching frequency at 55KHz

### PWR-240-48 (MEAN WELL / DR-240-48)

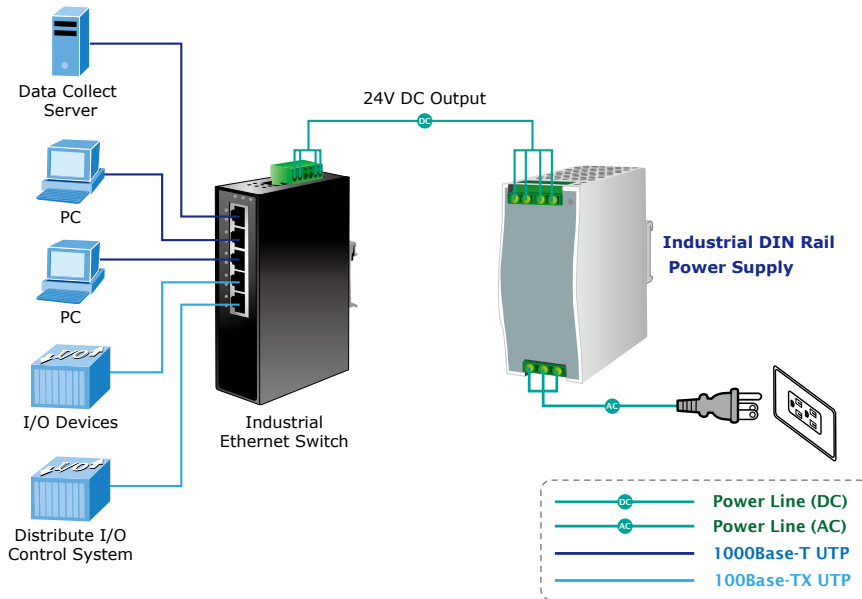
- Universal AC input / Full range
- Built in active PFC function
- Protections: Short circuit / Overload / Over voltage / Over temperature
- Cooling by free air convection
- For installation on DIN rail TS-35/7.5 or 15
- UL 508 (industrial control equipment) approved
- LED indicator for power on
- 100% full load burn-in test
- Fixed switching frequency at 100KHz

**APPLICATIONS**

*Ideal DC 24V Power Feeding Solution for Non PoE Industrial Equipments*

The DC Single Output Industrial DIN Rail Power Supply Units provide the following models to supply sufficient 24V power to Non PoE Industrial equipments such as industrial Fast / Gigabit Ethernet Switch and Industrial VDSL2 Converter. The model names and specifications are:

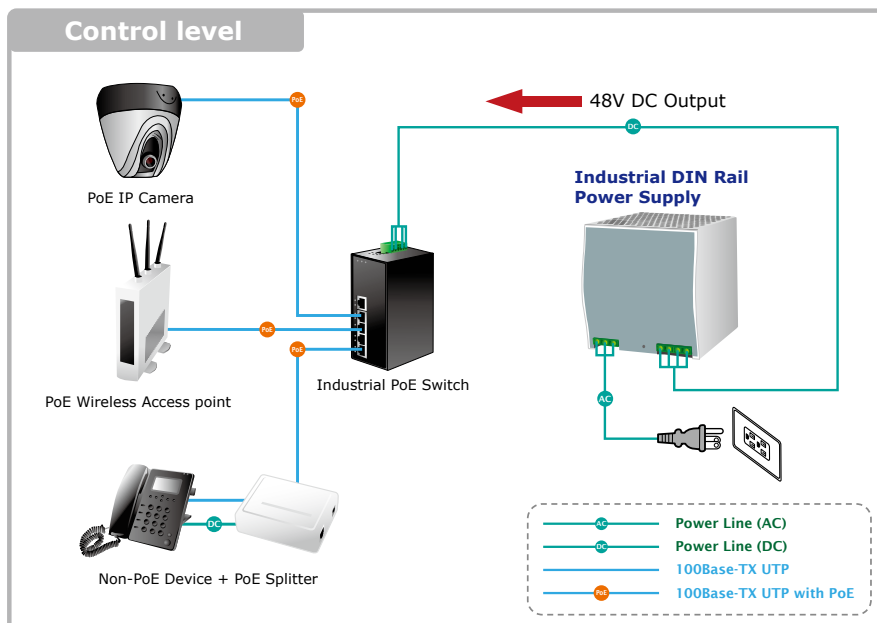
- **PWR-40-24 (MEAN WELL/ MDR-40-24):** 40W 24V DC Single Output Industrial DIN Rail Power Supply (-20 ~ 70 Degree C)
- **PWR-60-24 (MEAN WELL/ MDR-60-24):** 60W 24V DC Single Output Industrial DIN Rail Power Supply (-20 ~ 70 Degree C)
- **PWR-75-24 (MEAN WELL/ DR-75-24):** 75W 24V DC Single Output Industrial DIN Rail Power Supply (-10 ~ 60 Degree C)



*Ideal DC 48V Power Feeding Solution for PoE Industrial Equipments*

The following DC Single Output Industrial DIN Rail Power Supply Units provide enough power for current Industrial PoE equipments, such as industrial PoE Ethernet Switch.

- **PWR-120-48 (MEAN WELL/ DR-120-48):** 120W 48V DC Single Output Industrial DIN Rail Power Supply (-10 ~ 60 Degree C)
- **PWR-240-48 (MEAN WELL/ DR-240-48):** 240W 48V DC Single Output Industrial DIN Rail Power Supply (-10 ~ 70 Degree C)



**SPECIFICATION**

Product	DC Single Output Industrial DIN Rail Power Supply Units				
Model	PWR-40-24 (MEAN WELL / DR-40-24)	PWR-60-24 (MEAN WELL / MDR-60-24)	PWR-75-24 (MEAN WELL / DR-75-24)	PWR-120-48 (MEAN WELL / DR-120-48)	PWR-240-48 (MEAN WELL / DR-240-48)
<b>Hardware Specification</b>					
Dimension (W x D x H)	40 x 100 x 90 mm	40 x 100 x 90 mm	55 x 100 x 125 mm	65 x 100 x 125 mm	125 x 100 x 125 mm
Weight (kg)	0.3kg	0.3kg	0.6kg	0.79kg	1.2kg
Input Voltage	100-240V AC, 50/60Hz, 1.1A	100-240V AC,50/60Hz,1.8A	100-240V AC, 50/60Hz, 2.0A	100-240V AC, 50/60Hz, 3.3A	100-240V AC, 50/60Hz, 3.5A
Power Output	40Watts, 24V, 1.7A	60Watts, 24V ,2.5A	75Watts, 24V, 3.2A	120Watts, 48V, 2.5A	240Watts, 48V , 5A
Temperature	<b>Operating:</b> -20~70 Degree C <b>Storage:</b> -40~85 Degree C	<b>Operating:</b> -20~70 Degree C <b>Storage:</b> -40~85 Degree C	<b>Operating:</b> -10~60 Degree C <b>Storage:</b> -20~85 Degree C	<b>Operating:</b> -10~60 Degree C <b>Storage:</b> -20~85 Degree C	<b>Operating:</b> -10~70 Degree C <b>Storage:</b> -20~85 Degree C
Humidity Operating	<b>Operating:</b> 20 ~ 90% <b>Storage:</b> 10 ~ 95% (Non-condensing)				
Installation	DIN Rail TS-35/7.5 or 15				
Safety & Function	<p><b>PWR-40-24 (MEAN WELL/ MDR-40-24):</b> UL508, UL60950-1, TUV EN60950-1 approved, NEC class 2 / LPS compliant</p> <p><b>PWR-60-24 (MEAN WELL/ MDR-60-24):</b> UL508, TUV EN60950-1 Approved</p> <p><b>PWR-75-24 (MEAN WELL/ DR-75-24):</b> UL508, TUV EN60950-1 approved</p> <p><b>PWR-120-48 (MEAN WELL/ DR-120-48):</b> UL508, UL60950-1, TUV EN60950-1 approved</p> <p><b>PWR-240-48 (MEAN WELL/ DR-240-48):</b> UL508, UL60950-1, TUV EN60950-1 approved</p>				

**ORDERING INFORMATION**

<i>PWR-40-24 (MEAN WELL/ MDR-40-24)</i>	40W 24V DC Single Output Industrial DIN Rail Power Supply (-20 ~ 70 Degree C)
<i>PWR-60-24 (MEAN WELL/ MDR-60-24)</i>	60W 24V DC Single Output Industrial DIN Rail Power Supply (-20 ~ 70 Degree C)
<i>PWR-75-24 (MEAN WELL/ DR-75-24)</i>	75W 24V DC Single Output Industrial DIN Rail Power Supply (-10 ~ 60 Degree C)
<i>PWR-120-48 (MEAN WELL/ DR-120-48)</i>	120W 48V DC Single Output Industrial DIN Rail Power Supply (-10 ~ 60 Degree C)
<i>PWR-240-48 (MEAN WELL/ DR-240-48)</i>	240W 48V DC Single Output Industrial DIN Rail Power Supply (-10 ~ 70 Degree C)