

Product Specification

1-Bay SATA NAS Server

NAS-7103

Version1.0

This document contains confidential proprietary information and is property of PLANET. The contents of this document should not be disclosed to unauthorized persons without the written consent of PLANET.

Change History:

Revision	Date	Author	Change List
Version 1.0	2012/01/05	Brandon Wang	Initial release

Author:	Brandon Wang	Editor:	Brandon Wang
Reviewed by:	Jonas Young	Approved by:	Tom Shih

1. PRODUCT FEATURES

- The Administrator can Limit the Amount of Available Disk Space to Individual Users
- 1 Standard USB 2.0 Port for External USB HDD
- Supports Windows Utility and Web Base Manage
- Share Music, Pictures, Movies and Data over Network
- Supports BT Download
- DLNA compatible
- Interface: 10/100/1000Base-TX(Auto MDI/MDI-X), supports auto crossover detection
- Supports most popular OS including Windows 7/XP/Vista, MAC 10.5 above

2. PRODUCT SPECIFICATION

2.1 MAIN COMPONENT

CPU: OXE810DSE 367-MHZ

SDRAM: 128MB

Flash: 1MB

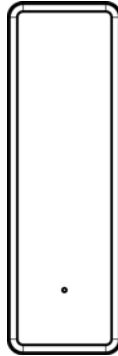
2.2 Functional Specifications

Hardware Specification	
Supported HDD	One 3.5" SATA I/II interface
LAN Connector	One RJ-45 Interface (10/100/1000Mbps)
USB Connector	1 x USB 2.0 Compatible (Type A)
USB Connectivity	External Storage
Transport Protocol	TCP/IP, NTP,SMTP,DDNS
File Protocols	WebDAV, SMB/CIFS, FTP, NFS, AFP (Apple Talk) / Time Machine, SSH
Multimedia Server	iTunes/ DLNA / UPnP AV Server
Client OS	Windows 7/Vista/XP , Mac OS 10.5 and above
System Configuration	Windows/Mac Base utility, Web Browser
Operating	Temperature: 5 ~ 40 Degree C Humidity: 5 ~ 90% (non-condensing)
Storage	Temperature: 0 ~ 60 Degree C Humidity: 5 ~ 90% (non-condensing)
Dimension (W x D x H)	201 x 116 x 37 mm (L x D x H)
Weight	492g (without HD)
Power Adapter	12V / 2A
Regulatory	FCC, CE

2.3 Physical Specification

Dimensions

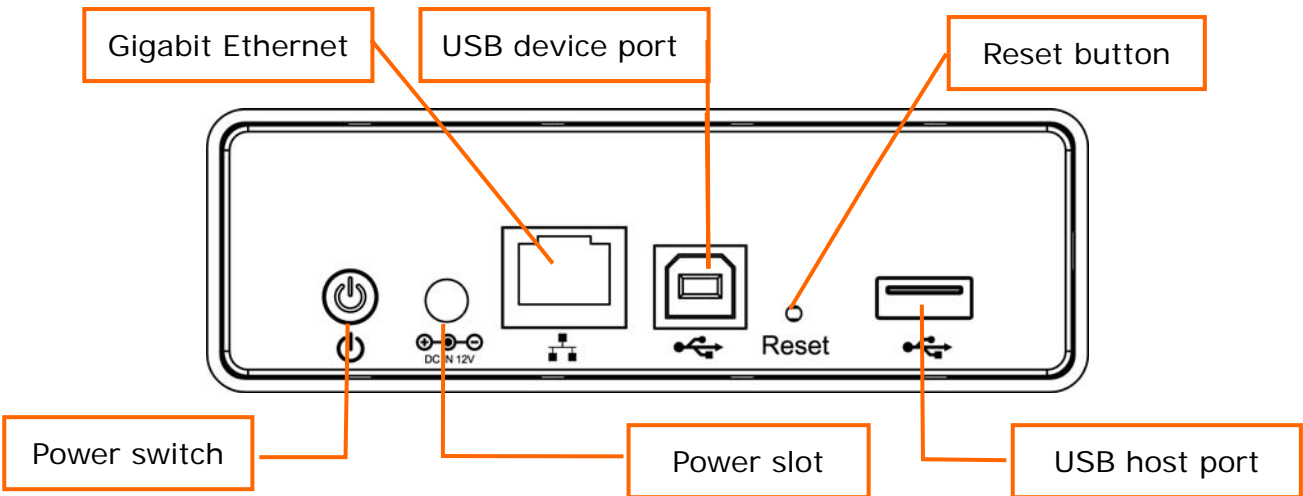
Front Panel View



Front LED Indication

Item	LED Color	Status
Power LED	Blue	Power on

Rear Panel View



Button Description

Item	Description
Power:	Push to turn on or off NAS-7103
Reset	Press 5 sec to restore factory default.

Connector	Description
DC Connector	Connect the bundled power adapter.
LAN	Supports 10/100/1000Base-T interface.
USB Host	Used for external USB storage
USB Device	Connect your USB2.0 port of computer for firmware upgrade

Weight

492g (net weight)

2.4 Environmental Specification

Operating

Temperature: 5~40°C

Relative Humidity: 5~90 % (non-condensing)

Storage

Temperature: 0~60°C

Relative Humidity: 5~90 % (non-condensing)

2.5 Electrical Specification

Input Voltage: DC 12V, 2A

2.6 Regulatory Compliance

CE FCC

2.7 BASIC PACKAGING

- NAS-7103 x 1
- Power Adapter x 1
- User's Manual CD x 1
- Quick Installation Guide x 1
- RJ-45 Cable x 1
- USB2.0 Cable(TYPE A) x 1
- USB2.0 Cable(TYPE B) x 1
- Brackets x 1
- HDD Screw x4
- Case Screw x2

2.8 PACKAGING INFORMATION

- Dimension
250 x 226 x 65 mm (L x D x H)
- Weight
710g (gross weight)