

1. Package Content

Thank you for purchasing PLANET Layer 2 Industrial Managed Switch, IGS-10020MT Terms of “**Industrial Managed Switch**” means the Switch mentioned titled in the cover page of this quick installation guide, i.e. IGS-10020MT.

Open the box of the **Industrial Managed Switch** and carefully unpack it. The box should contain the following items:

- The Industrial Managed Switch x 1
- Quick Installation Guide x 1
- User’s Manual CD x 1
- DIN Rail Kit x 1
- Wall Mounting Kit x 1
- Dust Cap x 10

If any of these are missing or damaged, please contact your dealer immediately, if possible, retain the carton including the original packing material, and use them against to repack the product in case there is a need to return it to us for repair.

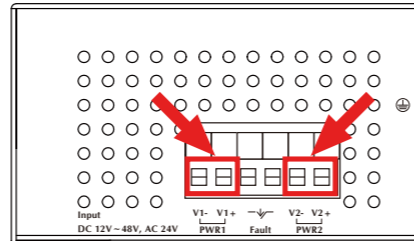
- 1 -

3. Wiring the Power Inputs

The Upper Panel of the **Industrial Managed Switch** indicates a DC inlet power socket and consist one terminal block connector within 6-contacts. It accepts input power from 12 to 48V DC or AC 24V. Please follow the steps below to insert the power wire.

1. Insert positive / negative DC power wires into the contacts 1 and 2 for POWER 1, or 5 and 6 for POWER 2.

IGS-10020MT Upper Panel



- 3 -

4. Start Web Management

The following shows how to start up the **Web Management** of the Industrial Managed Switch. Note the Industrial Managed Switch is configured through an Ethernet connection, please make sure the manager PC must be set on the same **IP subnet address**.

For example, the default IP address of the Industrial Managed Switch is **192.168.0.100**, then the manager PC should be set at **192.168.0.x** (where x is a number between 1 and 254, except 100), and the default subnet mask is 255.255.255.0.

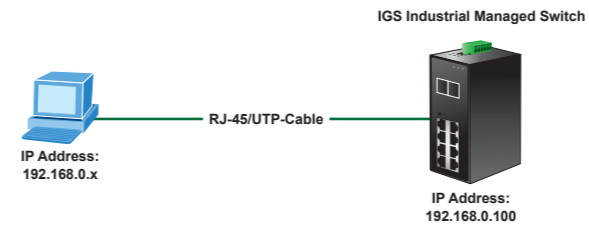


Figure 4-1: IP Management Diagram

- 5 -

2. Requirements

The Industrial Managed Switch provide remote login interface for manage; the following equipments are necessary for further management.

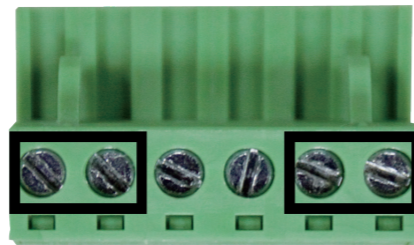
- **Workstation** installed with Ethernet NIC (Network Card)
- Workstations of subscribers running Windows XP/2003, Vista, Windows 7, MAC OS X, Linux, Fedora, Ubuntu or other platform compatible with TCP/IP protocols.
- **Ethernet Port connect**
 - ◆ Network cables - Use standard network (UTP) cables with RJ-45 connectors.
 - ◆ Above Workstation installed with WEB Browser and JAVA runtime environment Plug-in



It is recommended to use Internet Explore 7.0 or above to access the Industrial Managed Switch.

- 2 -

2. Tighten the wire-clamp screws for preventing the wires from loosening.



1 2 3 4 5 6
Power 1 - + Power 2 - +



The wire gauge for the terminal block should be in the range between 12 ~ 24 AWG.

- 4 -

Login the Industrial Managed Switch

1. Use Internet Explorer 7.0 or above Web browser, enter IP address http://192.168.0.100 (the factory-default IP address) to access the Web interface.
2. When the following dialog box appears, please enter the default user name “admin” and password “admin” (or the password you have changed before). The login screen in Figure 4-2 appears.

Default IP Address: **192.168.0.100**
Default User Name: **admin**
Default Password: **admin**

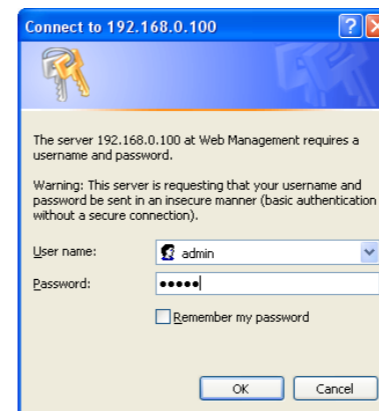


Figure 4-2: Login Screen

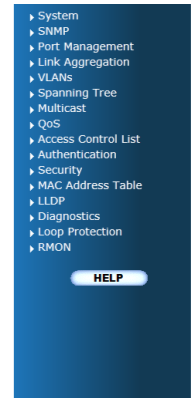
- 6 -

After entering the password, the main screen appears as Figure 4-3.



Figure 4-3: Web Main Screen of Industrial Managed Switch

The Switch Menu on the left of the Web page let you access all the functions and status the Industrial Managed Switch provides.



- 7 -

Now, you can use the Web management interface to continue the Switch management. Please refer to the user manual for more.

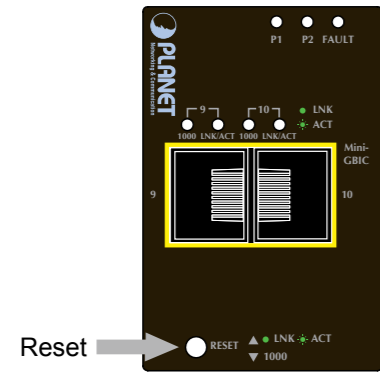


For security reason, please change and memorize the new password after this first setup.

- 8 -

5. While IP Address be changed or forgotten admin password –

To reset the IP address to the default IP Address “192.168.0.100” and the user password to factory default mode (default password is admin). Press the hardware reset button at the front panel about 5 seconds. After the device is rebooted, you can login the management Web interface within the same subnet of 192.168.0.xx and default password. Be noted, all the previous setup will disappeared after factory reset.



- 9 -

Customer Support

Thank you for purchase PLANET products. You can browse our online FAQ resource at the PLANET web site first to check if it could solve you issue. If you need more support information, please contact PLANET switch support team.

PLANET online FAQ :
<http://www.planet.com.tw/en/support/faq.php>

Switch support team mail address :
support_switch@planet.com.tw



IPv4/IPv6 Managed Industrial 10-Port Gigabit Ethernet Switch

Ideal Switch for Harsh Environment with Network Construction



For IGS-10020MT

Quick Installation Guide

