

Product Specifications

Z-Wave Wall-mount PIR Motion Sensor

HZS-100

Release 1.0

This document contains confidential proprietary information and is property of PLANET. The contents of this document should not be disclosed to unauthorized persons without the written consent of PLANET.

Change History:

Revision	Date	Author	Change List
Version 1.0	2015/09/29	Brandon Wang	Initial release

Author	Brandon Wang	Editor:	Brandon Wang
Reviewed by:	Jonas	Approved by:	Tom

1. PRODUCT DESCRIPTION



Home Automation and Smart Home Control

The HZS (Z-Wave Sensing Device) series of PLANET Home Automation product family, based on Z-Wave technology, provides the advanced security system that protects your home and family 24/7. Easy operation and flexible configuration are the attractive features of our system; the simple one-touch button lets you program your regular settings according to your preference and operation mode. Worked with PLANET HAC-1000 Z-Wave Home Automation Control Gateway, you get the all-round and reliable home security services that we offer. Our full range of product lines ensure that you get all the devices you need for your home security system.

Motion and Temperature Detection

PLANET HZS-100 is a Z-Wave wall-mount PIR motion sensor that monitors movement and sends Z-Wave signal when movement is detected. With its built-in temperature sensor feature, the HZS-100 will send the signal out when temperature inside the building changes.

Getting Started is as Easy as 1-2-3

1. Via the Cloud Home App (including Home Automation Controller Pad and Control Gateway): Press **Inclusion/Exclusion** to include/exclude Z-Wave device.
2. On the Z-Wave device: Press the **Pair** button to establish a connection with the control gateway.
3. Users can enjoy and manage Z-Wave network right away.

Real-time Alarm

Alerts like use of electricity, home alarms and more can be brought to your notice without delays by way of cloud hosting. From now on, you can maintain your home security no matter where you are.

2. PRODUCT FEATURES

- Z-Wave 500 series module inside
- Wall mount mechanism
- Auto switch-off delay time settings
- 120-degree motion detection
- Detect changes in movement via infrared technology
- Tamperproof protection

- Low-power consumption for long battery life
- Battery capacity detection (with the HAC-1000 Control Gateway)
- Temperature report (with the HAC-1000 Control Gateway)
- App and control pad alerts for any situation (with App Cloud Home and HTS-1000P Control Pad)

3. PRODUCT SPECIFICATIONS

3.1 COMPONENTS

Chipset	Sigma Z-Wave™ (ZM5202)
Flash	1MB

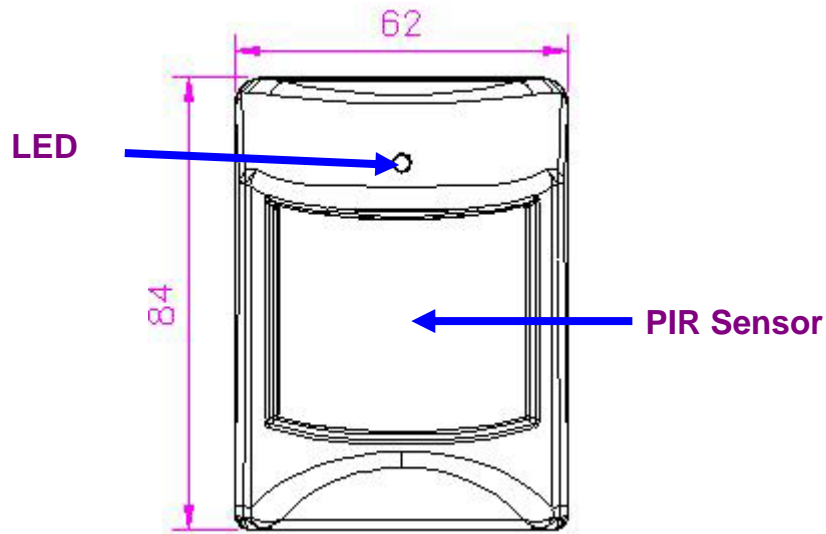
3.2 FUNCTIONAL SPECIFICATIONS

Product	HZS-100A	HZS-100E
Hardware and Network		
Z-Wave Frequency	America: 908.42MHz	Europe: 868.42MHz
Installation Height	About 2 meters	
PIR Detecting Distance	3~10 meters	
PIR Detecting Angle	120 degrees coverage	
LED Indicators	Movement detected (red)	
Operating Range	Up to 30 meters in open space	
Delay Time Adjustment	1~255 minutes	
Installation	Wall mount, indoor use	
General		
Power Requirements	CR123A 3V	
Operating Temperature	-15 ~ 40 degrees C	
Operating Humidity	0 ~ 90% (non-condensing)	
Weight	75g	
Dimensions (W x D x H)	84 x 62 x 50 mm	
Emission	CE, FCC	

3.3 PHYSICAL SPECIFICATIONS

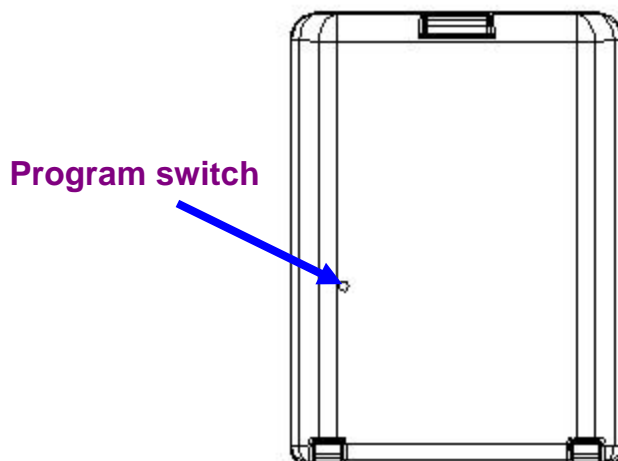
Dimensions (W x D x H)	84 x 62 x 50 mm
Weight	75g (gross weight)

➤ **Front Panel**



Interface	Description
PIR Sensor	PIR sensor is used to sense motion or detect whether a human has moved in or out of the sensors range.
LED	When movement is detected, the red LED will flash once

➤ **Rear**



Interface	Description
Program switch	Press to include or exclude a Z-Wave network.

3.4 ENVIRONMENTAL SPECIFICATIONS

➤ **Temperature**

Operating	-15 ~ 40 degrees C
------------------	--------------------

Storage	-15 ~ 45 degrees C
----------------	--------------------

➤ **Operating Humidity**

Operating	0 ~ 90% (non-condensing)
Storage	0 ~ 90% (non-condensing)

3.5 ELECTRICAL SPECIFICATIONS

Device Input Voltage	CR123A 3V
-----------------------------	-----------

3.6 REGULATORY COMPLIANCE

CE, FCC

3.7 RELIABILITY

MTBF > 50,000hrs @ 25 degrees C

3.8 BASIC PACKAGING

- 1 x PIR Sensor
- 1 x Quick Installation Guide
- 1 x CR123A Lithium Battery
- 1 x Accessory Bag

3.9 PACKAGE INFORMATION

Dimensions (W x D x H)	115 x 93 x 58 mm
Weight	112g
Carton Dimensions (W x D x H)	500 × 325 × 379 mm
Carton Weight	8.5kg
Carton Unit	75pcs. in one carton