

Product Specifications

Z-Wave 4-in-1 Multi Sensor

HZS-300

Release 1.0

This document contains confidential proprietary information and is property of PLANET. The contents of this document should not be disclosed to unauthorized persons without the written consent of PLANET.

Change History:

Revision	Date	Author	Change List
Version 1.0	2015/09/29	Brandon Wang	Initial release

Author	Brandon Wang	Editor:	Brandon Wang
Reviewed by:	Jonas	Approved by:	Tom

1. PRODUCT DESCRIPTION



Home Automation and Smart Home Control

The HZS (Z-Wave Sensing Device) series of PLANET Home Automation product family, based on Z-Wave technology, provides the advanced security system that protects your home and family 24/7. Easy operation and flexible configuration are the attractive features of our system; the simple one-touch button lets you program your regular settings according to your preference and operation mode. Worked with PLANET HAC-1000 Z-Wave Home Automation Control Gateway, you get the all-round and reliable home security services that we offer. Our full range of product lines ensure that you get all the devices you need for your home security system.

Safeguarding Homes Conveniently via the Multi-functional Sensor

PLANET HZS-300, a Z-Wave 4-in-1 Multi Sensor, has four sensors integrated into one device, thus enabling you to monitor the security of doors and windows, humidifiers, lightings, and thermostats of your home at site or remotely. The HZS-300 sends Z-Wave signal to the user when someone is prying a door or window open, or there is a change in humidity, luminosity and temperature. It not only helps to protect homes, offices and other establishments from theft, but also helps to keep humidity, luminosity and temperature in these places within their ideal range.

Mini Design for Easy Installation

As the HZS-300 Z-Wave sensor comes in lightweight and compact size, it can be installed on any door and window in less than 60 seconds. It is also hardly visible to intruders as its size is miniature.

Getting Started is as Easy as 1-2-3

1. Via the Cloud Home App (including Home Automation Controller Pad and Control Gateway), press **Inclusion/Exclusion** to include/exclude Z-Wave device.
2. On the Z-Wave device: Press the **Pair** button to establish a connection with the control gateway.
3. Users can enjoy and manage Z-Wave network right away.

2. PRODUCT FEATURES

- Z-Wave 500 series module inside
- Wall-mount mechanism
- Easy to install on the window and door
- Door and window protection against unauthorized entry
- Tamperproof protection

- Low-power consumption for long battery life
- Battery capacity detection (with the HAC-1000 Control Gateway)
- Temperature and Humidity, and Light report (with the HAC-1000 Control Gateway)
- App and control pad alerts for any situation (with App Cloud Home and HTS-1000P Control Pad)

3. PRODUCT SPECIFICATIONS

3.1 COMPONENTS

Chipset	Sigma Z-Wave™ (ZM5202)
Flash	1MB

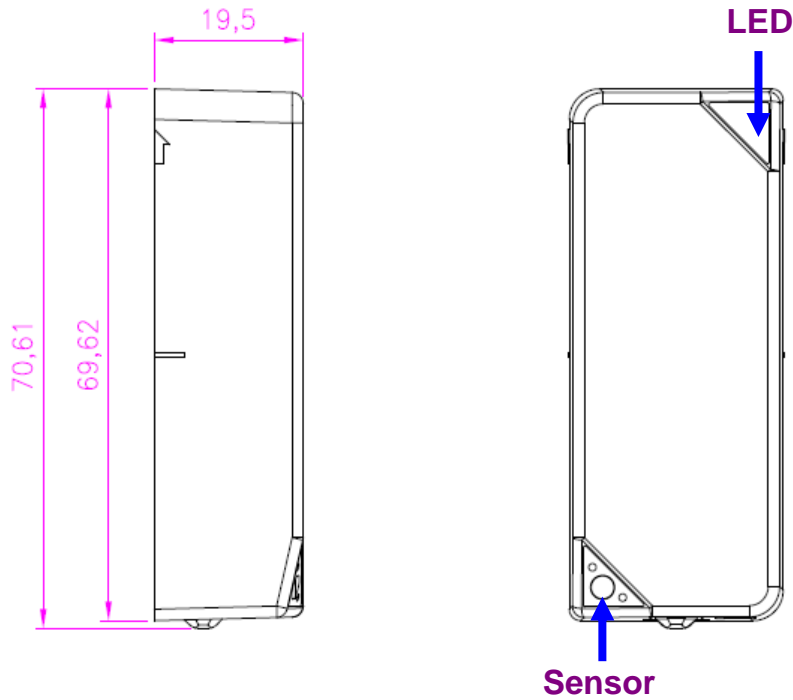
3.2 FUNCTIONAL SPECIFICATIONS

Product	HZS-300A	HZS-300E
Feature Specifications		
Z-Wave Frequency	America: 908.42MHz	Europe: 868.42MHz
Sensor	Door and window Illumination Temperature Humidity	
Temperature Detection Range	-40 ~ 105° C	
Illumination Range	Photoresistor, 0V~1.148V (0%~100%)	
Humidity Range	0%~100%	
LED Indicators	Opening/Closing the door/window Tamper switch Temperature change	
Operating Range	Up to 30 meters in open space	
Installation	Wall mount, indoor use only	
Hardware Specifications		
Power Requirements	AAA battery, 1.5V	
Operating Temperature	-15 ~ 60 degrees C	
Operating Humidity	0 ~ 95% (non-condensing)	
Weight	40g	
Dimensions (W x D x H)	69 x 28 x 19 mm	
Emission	CE, FCC	

3.3 PHYSICAL SPECIFICATIONS

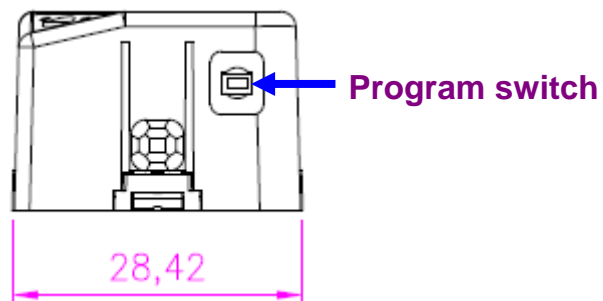
Dimensions (W x D x H)	69 x 28 x 19 mm
Weight	40g (gross weight)

➤ **Front Panel**



Interface	Description	
LED	Opening/Closing the door/window	
	Tamper switch	
	Temperature changed	
	Temperature	LED Color
	Under 15°C	Green
	15~23°C	Blue
	23~28°C	Yellow
28~36°C	Orange	
Over 36°C	Red	
For more details on indicator, please refer to HZS-300 user manual.		
Sensor	The sensor is for illumination detection.	

➤ **Bottom**



Interface	Description
Program switch	Press to include or exclude a Z-Wave network.

3.4 ENVIRONMENTAL SPECIFICATIONS

Temperature

Operating	-15 ~ 60 degrees C
Storage	-20 ~ 60 degrees C

Operating Humidity

Operating	0 ~ 95% (non-condensing)
Storage	0 ~ 95% (non-condensing)

3.5 ELECTRICAL SPECIFICATIONS

Device Input Voltage	AAA battery 1.5V
-----------------------------	------------------

3.6 REGULATORY COMPLIANCE

CE, FCC

3.7 RELIABILITY

MTBF > 50,000hrs @ 25 degrees C

3.8 BASIC PACKAGING

- 1 x 4-in-1 Sensor
- 1 x Quick Installation Guide
- 2 x AAA Battery
- 1 x Accessory Bag

3.9 PACKAGE INFORMATION

Dimensions (W x D x H)	102 x 43 x 35 mm
Weight	66g
Carton Dimensions (W x D x H)	324 × 236 × 290 mm
Carton Weight	7.6kg
Carton Unit	114 pcs in one carton